

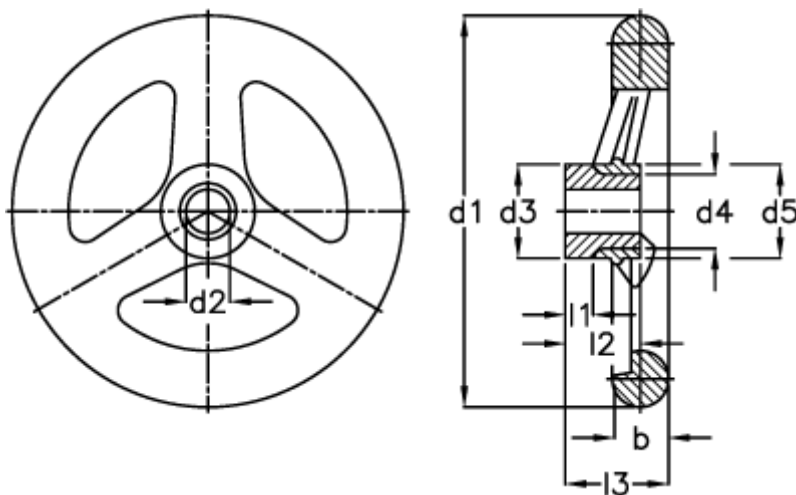
# Data Sheet



Article number: 20330332

Description: E+G Handwheel  
GN 555-200-K18-A

## Measures



|         |       |                  |      |
|---------|-------|------------------|------|
| b       | = 24  | l2 -0.5          | = 32 |
| d1      | = 200 | l3               | = 45 |
| d2 H7   | = 20  | Number of spokes | = 3  |
| d2 H7   | = 18  |                  |      |
| d3      | = 40  |                  |      |
| d4      | = 31  |                  |      |
| d5      | = 45  |                  |      |
| l1 -0.5 | = 4   |                  |      |